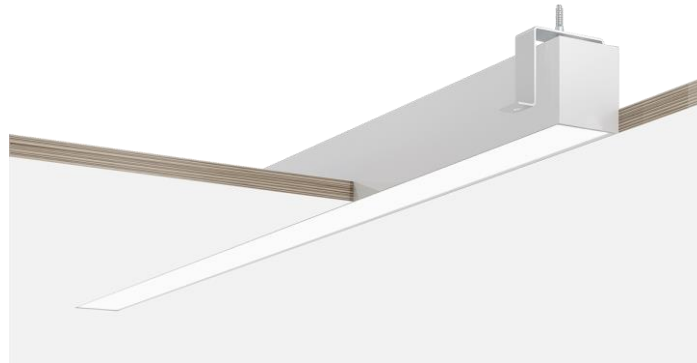


LINO C-TW

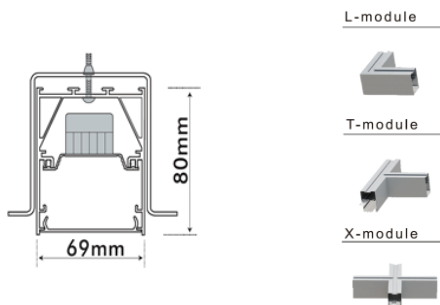
TECHNICAL SPECIFICATIONS



- Tuneable White Recessed LED Linear (69x80)
- OSRAM PrevaLED Linear TW G2 Board and TW DRIVER
- The interlocking latch / pin system and continuous diffuser, give a Powder coat seamless finish
- Screwless interlocking end caps
- Can be custom made according to client's request
- Applications: hospitality, commercial, retail and residential
- OSRAM TW DALI Dimmer available
- TW LED Board length Availability:
- 560mm Board:
2700K: 2152lm/w up to 6500K: 2287lm/w

Model:	Recessed TW LED Linear
Dimensions:	68mm (W) x 80mm (H)
Power :	36w/mtr or Custom made
Supply Voltage	220-240VAC 50-60HZ
Colour Temp:	TW: 2700K-6500K
Finish Colour:	White/Black/Silver
Initial Colour Consistency:	3 SDCM
CRI:	>80/>90
Power Factor:	>0.95
Lumens	133 LM / W
Dimmable:	OSRAM TW-DALI

* IES Files are available on request



- Please contact our sales team for specific requirements and Order Codes