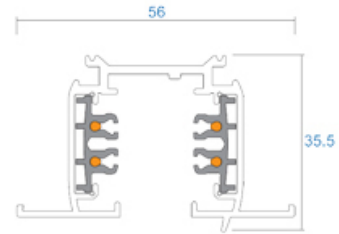


# RECESSED 3 CIRCUIT TRACK SYSTEM

## TECHNICAL SPECIFICATIONS



SVL Lighting



3 Circuits Recessed Track

- High quality track system for the professional lighting market
- Suitable for track lights with 3-phase adapters of all major brands.
- A comprehensive range of innovative accessories, like the twisted L and T connectors.
- Maximum freedom to create the ultimate track plan.
- Quick and easy to install
- No need to adjust the wires after cutting the track
- Also available in surface mount version and 2- and 3-meter lengths.

**Dimensions:** H: 35.5mm x W:56 x L:1000mm

**Rated voltage per circuit:** 240V/16A

**Finish Colour:** White/grey/black

**Net weight per piece:** 920 g

**Main materials:** Copper/Aluminum

**Package weight:** 4800 g

**Package length:** 1 m

**Package width:** 195 mm

**Package height:** 45 mm

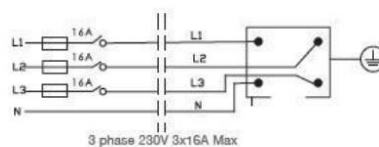
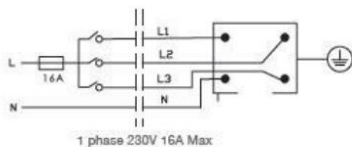
**Pieces inner box:** 1

**Pieces outer box:** 4

\* Please contact our sales team for specific requirements and order code

\* IES Files are available on request

### 3 circuit track system



# 3-Circuit TRACK – Suspended / Surface Mounted



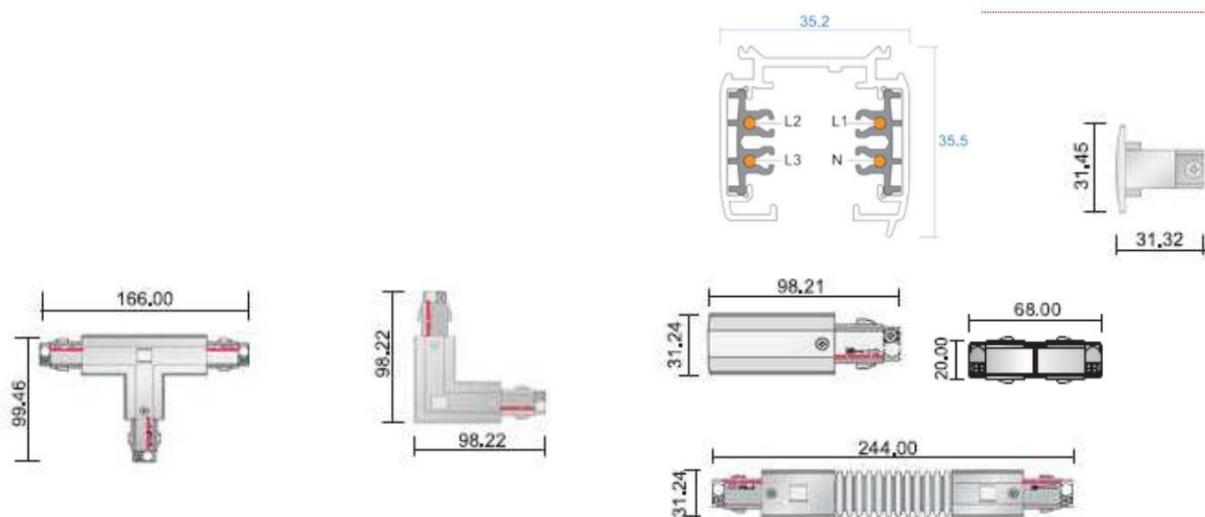
SVL Lighting

## TECHNICAL SPECIFICATIONS



- 3-Circuits DALI / PC Dimmable track system
- Surface mounted / Suspended track
- 3 phase Euro track accessories
- Suspension wiring kits available

3 Circuit Surface mount track



# RECESSED 3 CIRCUIT TRACK SYSTEM



SVL Lighting

## TECHNICAL SPECIFICATIONS

Accessories available:



Connector Left

Dimensions:	H: 35.2mm x L:98.5mm
Rated voltage per circuit:	230V/16A
Finish Colour:	White/grey/black
Main materials:	PC UL94VO/Copper/Steel
Product code White/ EAN code White:	PRO-0431L-W 8719747930212
Product code Grey/ EAN code Grey:	PRO-0431L-S 8719747930229
Product code Black/ EAN code Black:	PRO-0431L-B 8719747930236



Connector Right

Dimensions:	H: 35.2mm x L:98.5mm
Rated voltage per circuit:	230V/16A
Finish Colour:	White/grey/black
Main materials:	PC UL94VO/Copper/Steel
Product code White/ EAN code White:	PRO-0431R-W 8719747930243
Product code Grey/ EAN code Grey:	PRO-0431R-S 8719747930250
Product code Black/ EAN code Black:	PRO-0431R-8719747930267



Coupler (insulation)

Dimensions:	H: 20mm x L:66.4mm
Rated voltage per circuit:	230V/16A
Finish Colour:	White/grey/black
Main materials:	PC UL94VO/Steel
Product code White/ EAN code White:	PRO-04333A-W 8719747930335
Product code Grey/ EAN code Grey:	PRO-04333A-S 8719747930342
Product code Black/ EAN code Black:	PRO-04333A-B 8719747930359



Coupler

Dimensions:	H: 20.5mm x L:68mm
Rated voltage per circuit:	230V/16A
Finish Colour:	White/grey/black
Main materials:	PC UL94VO/Copper/Steel
Product code White/ EAN code White:	PRO-0433-W 8719747930311
Product code Grey/ EAN code Grey:	PRO-0433-S 8719747930311
Product code Black/ EAN code Black:	PRO-0433-B 8719747930328



Twisted L connector (L and R)

Dimensions:	H: 100.7mm x L:100.7mm
Rated voltage per circuit:	230V/16A
Finish Colour:	White/grey/black
Main materials:	PC UL94VO/Copper/Steel
Product code White/ EAN code White:	PRO-M438-W 8719747930663
Product code Grey/ EAN code Grey:	PRO-M438-S 8719747930670
Product code Black/ EAN code Black:	PRO-M438-B 8719747930687



Adjustable connector

Dimensions:	H: 35.2mm x L:228mm
Rated voltage per circuit:	230V/16A
Finish Colour:	White/grey/black
Main materials:	PC UL94VO/Copper/Steel
Product code White/ EAN code White:	PRO-M435-W 8719747930632
Product code Grey/ EAN code Grey:	PRO-M435-S 8719747930649
Product code Black/ EAN code Black:	PRO-M435-B 8719747930656