

WING 10w

TECHNICAL SPECIFICATIONS

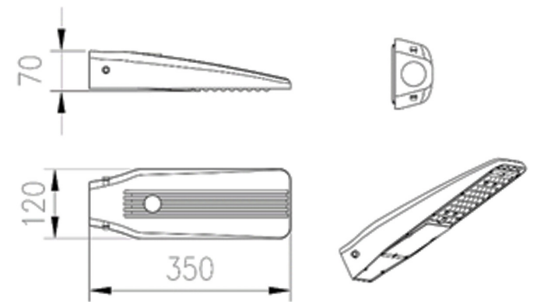


SVL Lighting



ROHS CE IP66

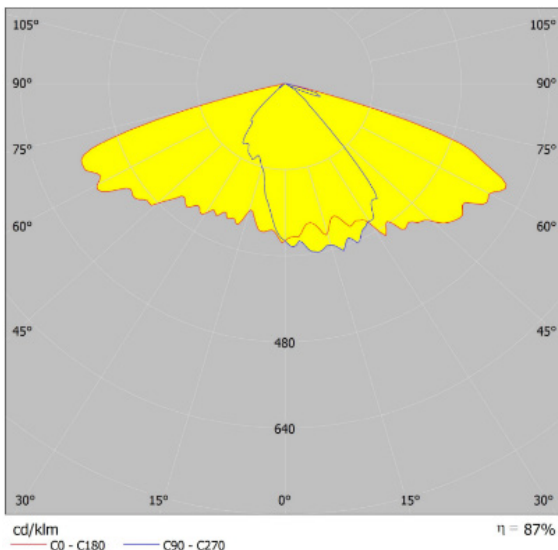
- Elegant appearance Post top with side mount option.
- 10 watt
- IP66
- Beam Angle 55° x 145° (60°/75° x 150° optional)
- Integrated Die-casting aluminum body.
- Streamlined housing to avoid dust accumulation and rain-washing convenience to ensure better heat dissipation.
- PC lens, light transmittance >90%, Flammability rating: UL94-V0.
- Optional light sensor plug-in for extensive energy saving.
- Ideal for Park, Garden, Courtyard, Residential Streets & Rural Roads



CODE	WATTS	CRI	COLOUR TEMP	LUMENS
WIN103SG	10w	Ra75(Ra85 optional)	3000K	1,000lm
WIN104SG	10w	Ra75 (Ra85 optional)	4000K	1,200lm
WIN105SG	10w	Ra75 (Ra85 optional)	5000K	1,200lm

*Silver grey (SG), dark grey, black, white optional

LIGHT DISTRIBUTION



POWER CONSUMPTION	10W ±5W
IP RATING	IP 66
LUMINOUS FLUX	>1200 lm
EFFICACY	>130 lm/W
BEAM ANGLE	55° x 145° (60°/75° x 150° optional)
COLOUR TEMPERATURE	3K, 4K & 5K
CRI	>70
MOUNTING ARRANGEMENT	Post top & Side mount
DIMENSIONS	350mm x 120mm x 70mm
POWER FACTOR	≥0.90
POWER SUPPLY	220-240V AC 50-60Hz
LIFE SPAN	100,000 hrs (TM-21L70)

* IES files are available on request